

# Otto Luce<sup>®</sup> Chandelier



A fully bespoke lighting fixture, hand-made to order. The armature is made of the highest quality architectural bronze and hubs are hand milled from solid architectural bronze. Arms are positionable, within a range on their axis, making each installation unique. Glass bowls are all hand blown and each one is fused hot with 18 K Japanese gold foil wrap, to give it a distinct pattern.

## MATERIALS

Shades: Blown Glass  
Frame: Architectural Bronze  
Ceiling mount Canopy: Heavy gauge spun brass  
Stem: Architectural bronze

## FRAME

Armature is made of architectural bronze and hubs are hand milled from architectural bronze  
Frame can have two, three or four tiers

## SHADES

Alabaster glass globes with gold foil wrap  
Also available in Smoked Quartz with gold foil wrap.  
Custom colors may be available upon request

## FINISH

Natural Brushed Brass finish with semi-matte clear lacquer  
Wax finish optional  
Available custom finishes: Antique Brass, Nickel, Antique Nickel, Oil Rubbed Bronze, Blackend Brass

## LAMPING Per tier

US/Canada : (2) incandescent candelabra base sockets  
E12 C-A rated to 75wt. However, 40 wt. is recommended

## WATTAGE

80 watts per tier recommended

## REMARKS

Specify drop length / overall height  
Minimum stem is 12" on this fixture  
Two tiers minimum. Connects with canopy insert hanging bar directly to junction box  
Indoor use and dry locations only

## DIMENSIONS

Largest width 56 <sup>5</sup>/<sub>8</sub>"  
Smallest width 20"  
Minimum overall height is 27"  
Fixture height without stem is 15"  
Stem height is variable  
Armature can be flat packed to 55"x18"x3"

## WEIGHT

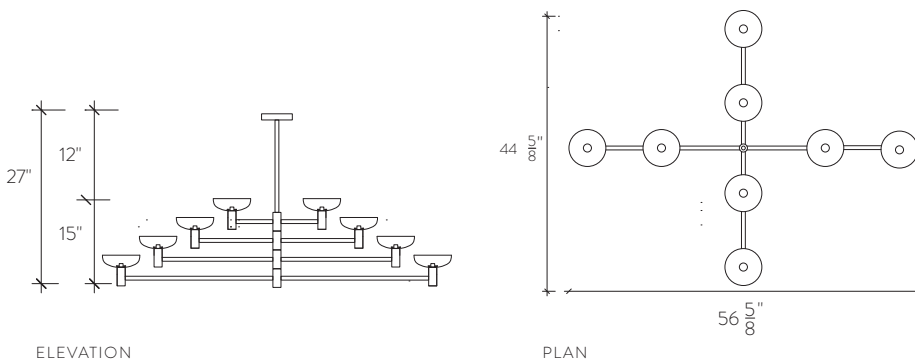
Weight varies slightly; 4 tier fixture approximately 40 lbs

## CARE

Clean with a dry soft cloth,  
no harsh cleaning agents or chemicals

## INQUIRIES

cartwrightny.com  
carolyn@cartwrightny.com  
646 286 8328



CARTWRIGHT

NEW YORK MURANO